



MØBLER

- EN FILOSOFI -

Kære Kunde

FDB Møbler er skabt til at give plads til mennesker. En filosofi der har været bøjet i eg og bøg og flettet ind i sæderne siden 1942. Mange nye designere er kommet til siden, men det grundlæggende er stadig som fra begyndelsen: At frembringe smukke, funktionelle møbler af høj håndværksmæssig kvalitet, som giver plads til det daglige liv i stuerne, køkkenet eller på børneværelset. Og som kan holde til det år ud og år ind. FDB Møbler har for længst skrevet sig ind i dansk designhistorie med klassikere, som er gået i arv gennem generationer.

“Mit mål er at frembringe ting, der vil tjene mennesket, placere mennesket i hovedrollen i stedet for med djævelens vold og magt at tilpasse mennesket til tingene”

Citat Børge Mogensen,
første leder af FDB Møblers tegnestue 1942

• C64 • Shakerbord

Designer Børge Mogensen

DESIGNER

Børge Mogensen (1914–1972) var en af Danmarks mest betydningsfulde møbelarkitekter. Næsten alle danskere har oplevet hans design – fra de kendte, moderne FDB-møbler i 1940'erne til de utallige klassikere, der har møbleret både vores boliger og offentlige rum siden Anden Verdenskrig. Børge Mogensen mente, at møblet skulle passe til mennesket, og ikke omvendt. Funktionelle kvalitetsmøbler frem for alt. Hvad enten det er sofaen, spisebordet eller spisebordsstolen er der en klar og rød gennemgående tråd i hans møbler. Enkle linjer, rene træoverflader og fed kernelæder. Et moderne design, der trækker tråde tilbage i historien.

PRODUKTINFORMATION

Shakerbordet stod ikke alene i Børge Mogensens private spisestue. Det var samtidig en bordtype, han blev ved med at vende tilbage til gennem sin karriere som møbelarkitekt.

Denne model tegnede Børge Mogensen for FDB i 1950, men den nåede aldrig at blive sat i produktion. Muligvis på grund af de korsformede ben, der dengang både var et distingt design og en svær konstruktion at få til at gå op. 70 år efter lancerer FDB Møbler nu bordet, der, trods skiftende samfundstendenser inden for boligindretning, fremstår tidløst og med en æstetisk holdbarhed. Med det elegante og unikke understel, der er trukket ind under bordpladen, virker den enkle, rektangulære plade som svævende frit i rummet og samtidig give god plads til benene. Bordet, der bærer præg af funktionalitet med en praktisk slidflade og de afrundede kanter, bygger på Børge Mogensens ufravigelige krav om, at et møbel skulle tjene mennesket og give plads til den menneskelige udfoldelse frem for med djævlens vold og magt at tilpasse mennesket til møblet.

VEDLIGEHOLDESTINFORMATION

- Dagligt brug: Som udgangspunkt er FDB Møbler designet og produceret til at indgå i dagligt brug i hjemmet.
- Vedligeholdelse: Med enkel vedligeholdelse vil dit møbel bringe glæde og gavn mange år frem i tiden. Bordet kræver blot beskeden vedligeholdelse, da den er leveret med en olieret overflade.
- Den daglige rengøring klares med en hårdt opvredet klud. Det frarådes at bruge rengøringsmidler til den daglige rengøring. Brug kun rent vand.
- For at forlænge bordets levetid bør det olieres efter behov. Optimalt en til to gange om året.
- Undgå så vidt muligt at placere bordet i direkte sollys, da solens stråler vil mørkne træet.
- Spildes der mod forventning væsker på bordet, tør straks det spildte op med en sugende ufarvet klud.
- Undlad at placere varme genstande som fx fyrfadsllys direkte på træoverfladen.
- Vær opmærksom på at almindeligt lys påvirker træet, og det er derfor helt naturligt, at bordet farvenuance ændres en smule med tiden. Det anbefales derfor at flytte rundt på eventuelle pyntegenstande med jævne mellemrum – for at undgå misfarvninger.
- Vær opmærksom på, at hvis bordet placeres på et blødere trægulv, kan benene efterlade mærker. Dette kan dog let imødegås ved at montere filtdupper under bordets ben.



Miljømærket for ansvarlig skovbrug
FSC® N001929

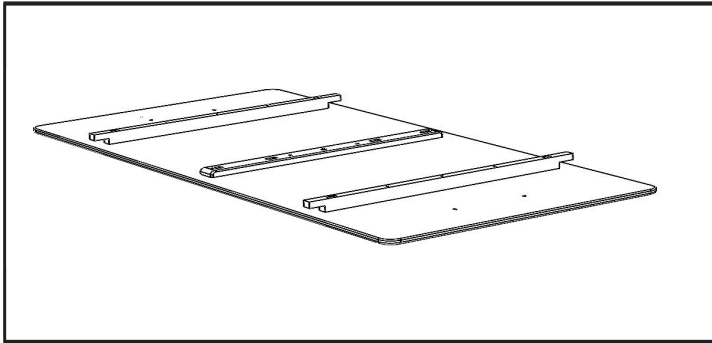
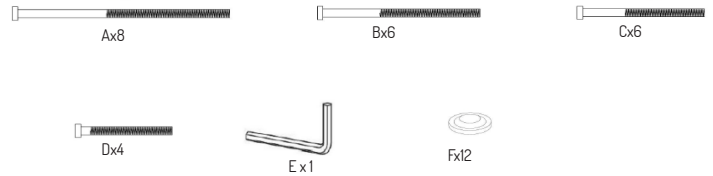
FDB Møbler er udelukkende produceret af FSC-certificeret træ. Med FSC-certificeringen sikres, at der ikke fældes mere træ, end skoven kan nå at reproducere. Samtidig er FSC en garanti for, at dyr og planter beskyttes, og at de mennesker, der arbejder i skoven, er sikret uddannelse, sikkerhedsudstyr og en fornuftig løn. Når du som forbruger vælger FSC, er du med til at sikre naturen og de sociale forhold i de skove, som træet kommer fra. Med dit valg giver du din støtte til de skovejere, der har valgt at drive skoven med respekt for mennesker og dyr. For yderligere information – se www.fsc.dk.



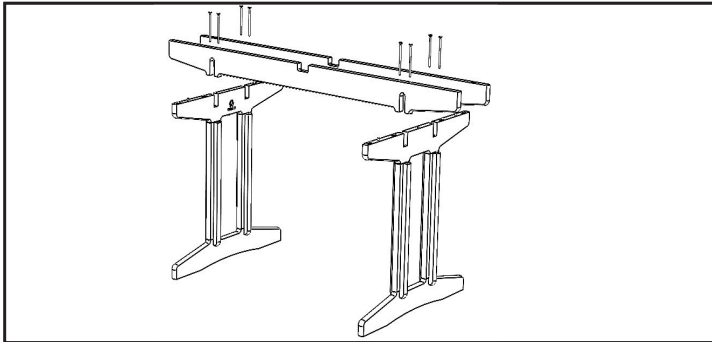
MØBLER

- EN FILOSOFI -

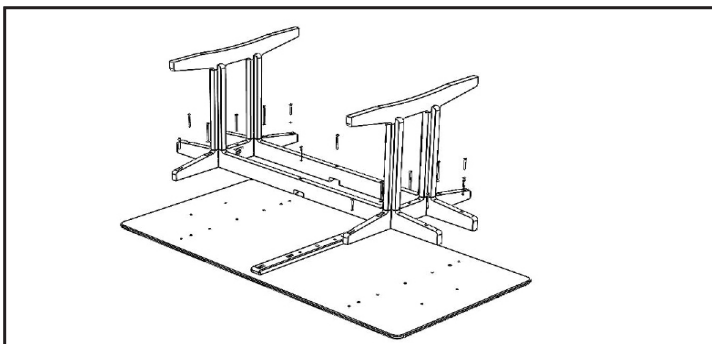
Dette behøver du for at samle bordet



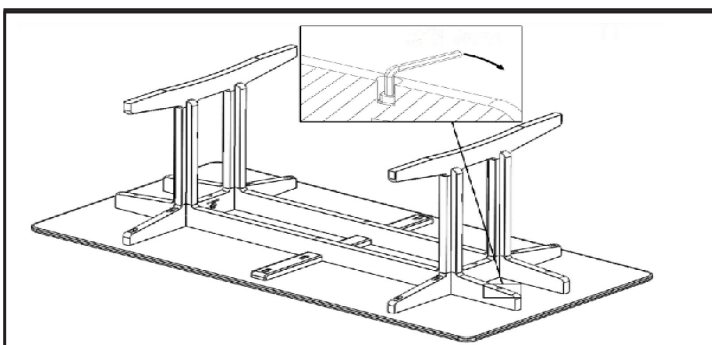
Stabiliseringsargene skrues af og skrueerne gemmes til senere montage.



Stellet samles ved at skrue sargene ned i gavlene.



Bordpladen placeres på et blødt plant underlag med undersiden opad. Det samlede bordstel placeres på pladen. Når dylerne i bordstellet er styret ned i deres huller er stellet korrekt placeret og skrueerne kan placeres.



Derefter iskrues boltene i deres respektive huller. Ved massive bordplader løsnes skrueerne i tværsargene en kvart omgang efter fastskruining, så at bordpladen kan udvide sig med luftens fugtændring.



Miljømærket for ansvarlig skovbrug
FSC® N001729

FDB Møbler er udelukkende produceret af FSC-certificeret træ. Med FSC-certificeringen sikres, at der ikke fældes mere træ, end skoven kan nå at reproducere. Samtidig er FSC en garanti for, at dyr og planter beskyttes, og at de mennesker, der arbejder i skoven, er sikret uddannelse, sikkerhedsudstyr og en fornuftig løn. Når du som forbruger vælger FSC, er du med til at sikre naturen og de sociale forhold i de skove, som træet kommer fra. Med dit valg giver du din støtte til de skovejere, der har valgt at drive skoven med respekt for mennesker og dyr. For yderligere information – se www.fsc.dk.



MØBLER

- EN FILOSOFI -

*“I could never condone
decoration purely
for its own sake”*

Quote: Børge Mogensen

Dear Customer

FDB Møbler was founded out of a desire to create furniture that makes room for people – a philosophy which has been shaped in oak and beech and woven into seats since 1942. New generations of designers have joined the team since then, but the fundamental mission remains the same: To produce beautiful, functional pieces of furniture made to high standards of craftsmanship that make room for everyday life in living rooms, kitchens and children’s bedrooms. And which can withstand wear and tear, year in and year out. FDB Møbler wrote itself into the annals of Danish design

history long ago with classics that have been passed down for generations. So even if your furniture is brand new, it is already an heirloom, because it is imbued with all the values that we were born with, and which are still honoured to this day when we produce our classics, relaunch furniture from our design archives, or introduce brand-new designs. We hope you will be happy with your new purchase, and that it will enhance your quality of life, as this has been the intention ever since our first pieces of furniture emerged from the drawing board.

• C64 • Shaker Table

Designer Børge Mogensen

DESIGNER

Børge Mogensen (1914–1972) was one of the most important and influential representatives of Danish furniture design. Almost everyone in Denmark has experienced his designs – from the well-known, modern FDB furniture of the 1940s to countless classics that have furnished both homes and public spaces in Denmark since the Second World War. Børge Mogensen believed that furniture should fit the human being, rather than the other way around and that functional quality furniture is paramount. The entire range of his furniture designs – sofas, dining tables and dining chairs – is distinguished by a recurring theme: simple lines, solid wooden surfaces and soft, shell cordovan leather. Modern design with a distinguished history.

PRODUCT INFORMATION

The Shaker table was not exclusive to Børge Mogensen’s private dining room. It was also a table type that he returned to time and again throughout his career as a furniture architect. Børge Mogensen designed this model for FDB Møbler in 1950, but it was never put into production, possibly because of the cross-shaped legs, which back then were a bold design detail and one that was difficult to manufacture. Seventy years later, FDB Møbler is now launching the table which – despite changing social trends within interior design – remains a timeless and aesthetically durable design. With its elegant and unique underframe, which is drawn in under the tabletop, the simple rectangular surface appears to float freely in space while allowing plenty of legroom. The table comes across as being highly functional with a practical tabletop with rounded edges, and builds on Børge Mogensen’s unwavering requirement that a piece of furniture should serve its users and support human activities rather than forcing people to adapt to the furniture.

CARE INSTRUCTIONS

The table only requires a small amount of maintenance since it comes with a oiled surface

- Use a slightly damp cloth for daily cleaning. Generally, it is not a good idea to use cleaning agents – just clean water. If a cleaning agent is used occasionally, it is important to dry the surface immediately afterwards with a clean cloth
- Olie the table one to two times per. year.
- Avoid scraping or scratching the surface when cleaning
- In the unlikely event of spillages, immediately wipe up the spillage with an absorbent, colourfast cloth.
- Avoid placing hot objects such as tea-lights directly on the wood
- Please note that ordinary light affects the wood, and therefore the colour of the wood will naturally change slightly over time. In so far as possible, avoid placing the table in direct sunlight, as the sunshine will darken the wood. It is therefore a good idea to move any decorative objects around at regular intervals to avoid discoloration.
- Please note that the legs may leave marks on soft wooden floors. However, this can easily be prevented by putting felt pads under the legs.



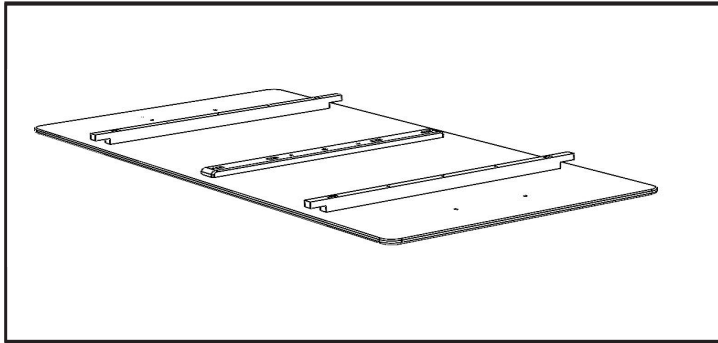
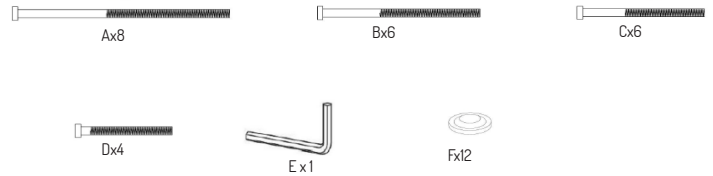
FDB Møbler is manufactured using only FSC-certified wood. FSC certification ensures that no more trees are felled than the forest can reproduce. At the same time, the FSC label guarantees that forest animals and plants are protected, and that the forest workers receive training, safety equipment and a reasonable pay. When you, the consumer, choose FSC, you are helping to protect the natural environment and ensure proper social conditions in the forests where the wood is sourced. In choosing products made with FSC wood, you are supporting forest owners who have chosen to manage their forests in a way that respects the people who work there and the fauna for which the forest is their habitat. For further information, visit www.fsc.dk.



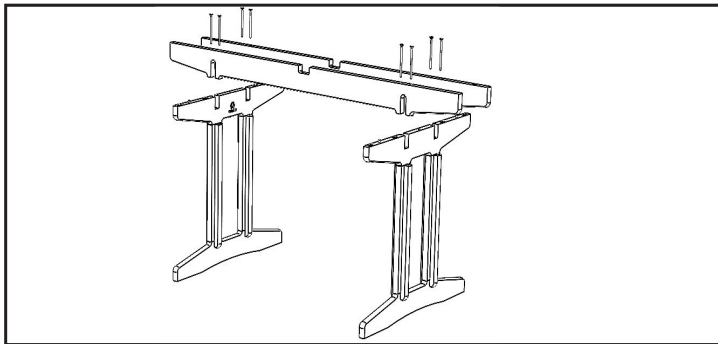
MØBLER

- EN FILOSOFI -

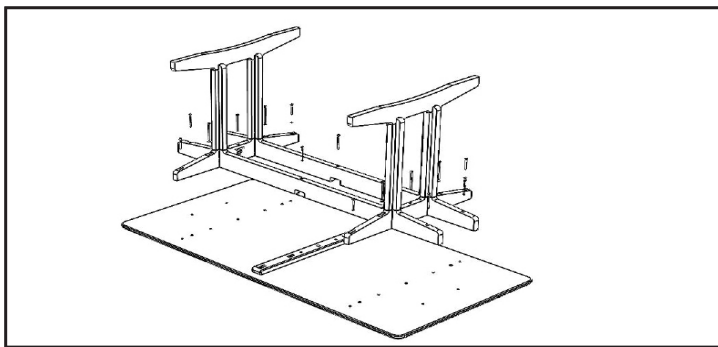
This is what you need to collect your ne



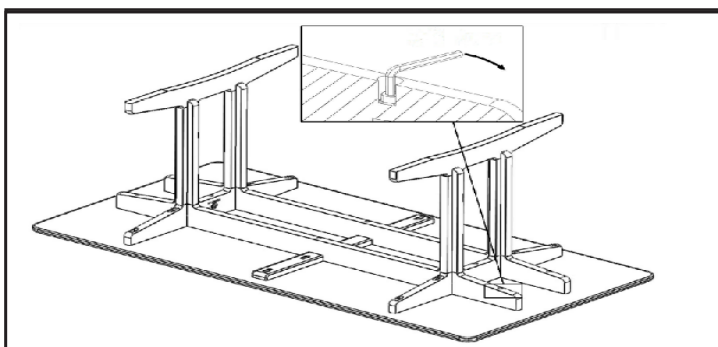
The cross beams for stabilizing are unscrewed. The bolts are saved for later assembly.



The base is assembled by fastening the beams to the gables.



The table top is placed on a soft flat surface underside up. The assembled base is placed on the table top. When the dowels slot into their holes the base is correctly placed and the bolts can be inserted.



Then the bolts are then fastened in their respective holes. By solid wood table tops the bolts are turned back one quarter revolution after fasteneing. This to allow the table top to expand/contract with the humidity of the air.



Miljømerket for ansvarlig skogbruk
FSC® N001729

FDB Møbler is manufactured using only FSC-certified wood. FSC certification ensures that no more trees are felled than the forest can reproduce. At the same time, the FSC label guarantees that forest animals and plants are protected, and that the forest workers receive training, safety equipment and a reasonable pay. When you, the consumer, choose FSC, you are helping to protect the natural environment and ensure proper social conditions in the forests where the wood is sourced. In choosing products made with FSC wood, you are supporting forest owners who have chosen to manage their forests in a way that respects the people who work there and the fauna for which the forest is their habitat. For further information, visit www.fsc.dk.