

## Instructions



# Flowerpot VP9 Verner Panton 1968

---

Congratulations with your new Flowerpot portable lamp, designed in 1968 by Verner Panton. We hope you will enjoy using this product and follow these instructions to ensure correct installation. If you have any questions or comments, please do not hesitate to contact us by mail on:

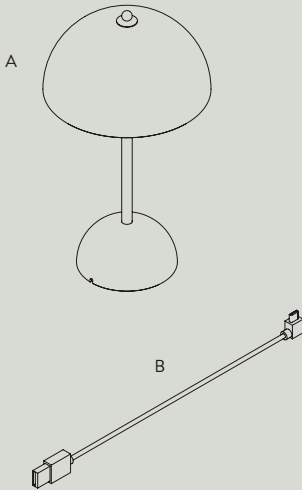
[info@andtradition.com](mailto:info@andtradition.com)

# Flowerpot VP9

## Verner Panton

### 1968

---



Input micro USB cable 5.0  $\Rightarrow$  2A  
3W LED board (replaceable)  
Charging time: 8 hours  
Operation time in highest setting:  
11 hours

Please read these instructions carefully and retain them for future reference to ensure that the product is used correctly. For your own safety, please study each step of this instruction manual first. &Tradition is not responsible for any faults or damages caused by not following these instructions correctly. Do not modify this product in any way.

#### Contents

- A Flowerpot lamp
- B USB charging cable

#### Safety precautions

- Dispose of plastic bag from packaging and do not allow children to play with it.
- Keep product well out of children's reach.
- This lamp is for indoors use only. It can be taken outdoors, but must be kept and stored indoors.
- Consult a professionally qualified electrician if in any doubt.
- Do not place the cable within reach of small children or anywhere with a risk of falling over it.
- Batteries must be disposed of according to local environmental laws for waste disposal.

#### Cleaning instructions

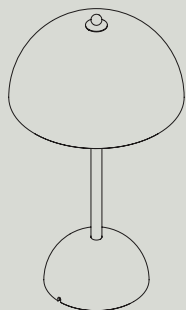
- Wipe the surface with a soft, damp sponge or cloth, and wipe immediately with a dry cloth.
- Do not use any abrasive cleaning tools such as steel wool, scouring sponges or stiff brushes.
- Never use strong cleaning agents such as white spirit, turpentine, household glass cleaner or cellulose thinner.

#### Important

&Tradition will not take any responsibility for accidents or injuries that occurs due to use of incorrect battery/LED light bulb.

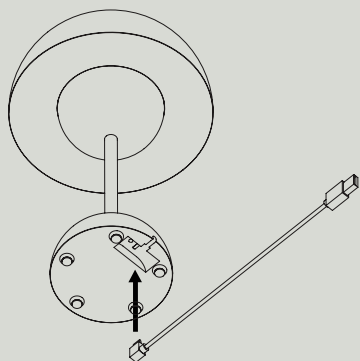
The battery must be removed from the lamp before it is scrapped; the appliance must be disconnected from the supply mains when removing the battery; the battery must be disposed safely.

For LED bulb and battery information or inquiry, please do not hesitate to contact &Tradition via mail on [info@andtradition.com](mailto:info@andtradition.com).



### Step 1

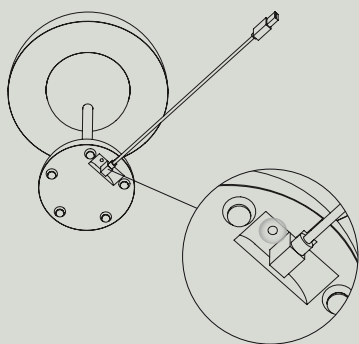
The lamp is delivered fully assembled.



### Step 2

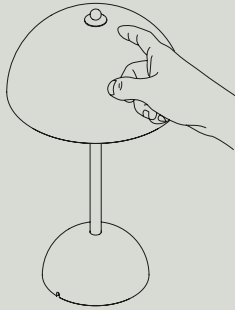
Before use, the battery in the lamp must be fully charged. Plug the micro USB cable into the USB port on the bottom of the lamp. Connect the USB cable to a power supply.

**&Tradition replacement battery can be purchased upon request.**



### Step 3

When charging, a red LED light will appear next to the USB port. When the lamp is fully charged the red light will turn green.



#### **Step 4**

The light intensity of the lamp can be adjusted by touching the dimmer knob on the top of the lamp.

The lamp has 3 light intensity levels: 100%, 50% and 20%.

**&Tradition replacement LED unit can be purchased upon request.**