

Hubert Ø45 cm



Pendant

Lighting — Product Sheet
menu.as

by Søren Rose Studio



Hubert Ø45 cm



The Tribeca series is a mix of lamps, pendants and chandeliers, all inspired by the New York City glamour of the late 1930s. The name Tribeca refers to a very popular part of New York in lower West Manhattan, the Triangle below Canal Street. The various shapes and designs in the Tribeca series were created in an inspiring creative process where Søren Rose Studio travelled the States, searching for beautiful old lamps and reusable parts. All the parts were separated, rated and arranged, and then assembled again, mix and match style, until these new and much bolder designs emerged. This feature, in combination with the elegant details and the glamorous feel, makes a Tribeca lamp a retro-chic piece of art. Hubert Lamp is the second new addition to our popular Tribeca family by Søren Rose Studios. A simplistic pendant that can be used in many different configurations to create a dramatic statement. Hubert works well on its own as a single object, as well as mounted together in groups. Its industrial and functional character makes it suitable for both living rooms, kitchens, offices and bars.

Product Type

Pendant

Environment

Indoor

Dimensions (cm / in)

H: 21,5 cm / 8,5"

Ø: 45 cm / 17,7"

Colours

Ivory (NCS 1002-Y50R) / Bronzed Brass

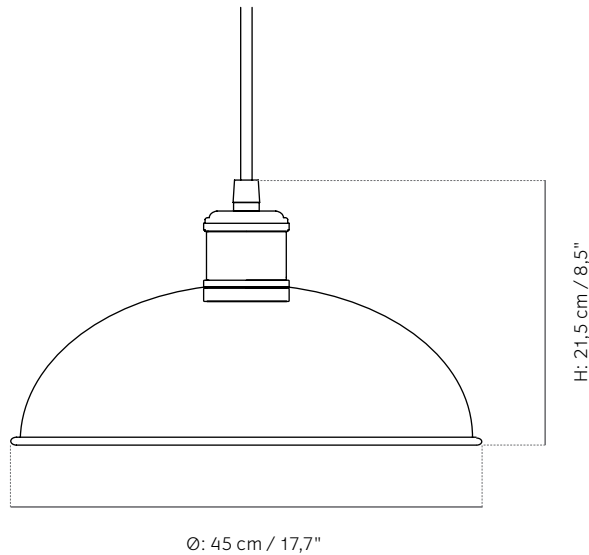
Black (RAL 9005) / Bronzed Brass

About the Designer

Søren Rose is a talented Danish entrepreneur and designer with a past as a creative director within the web and photography industry. His dream of having his own studio came true in 2008; and today he lives in New York where he operates the highly popular Søren Rose Studio. Søren Rose explains "And here I am, 6 years later, with branches in Copenhagen and New York. My team encompasses an incredible set of skills within architecture, product design and manufacturing. We run a flat organisation; and, thus, if the junior designer has the best idea that's what we go with. We worship high quality and sustainable materials, and we approach our work with both traditional and innovative craftsmanship. This is the makeup and moving force behind Søren Rose Studio."

Hubert Ø45 cm

Technical Specifications



Production Process

The frame is made by solid Brass rods or bronze plated Brass rods connected with casted brass fittings. The socket is made in porcelain.

Materials

Powder Coated Brass, Solid Brass (Black - Texture and Matt, Ivory - No texture and Glossy)

Weight item (kg)

2,4 kg

Voltage (V)

220 - 240V

Light Source & Energy Efficiency Class

E27 (Not Included), MAX 60 W, A++, A+, A, B, C, D

Light Specification

Lumen, Kelvin and Ra Value depends on which bulb is used.

Dimmer

No. The lamp can be fitted with a dimmer by a certified electrician.

Canopy

No.

Cord Material and Colour

Textile, Black

Cord Length (cm / in)

400 cm / 157,5"

Classification

CE and IP20

Certifications

EMC: EN 55015:2013; EN 61547:2009; EN 61000-3-2:2014; EN 61000-3-3:2013
LVD: EN 60598-2-1:1989; EN60598-1:2015

Packaging Type

Giftbox

Packaging Measurement (H * W * D)

51,5 cm * 51,5 cm * 20,5 cm

Care Instructions

Use a soft dry cloth to clean. Do not use any cleaners with chemicals or harsh abrasives. Avoid using water. The brass will oxidise from the moment it is exposed to air. To maintain a shiny appearance, use a mild metal polish and a soft cloth.

Hubert Ø45 cm



Black / Bronzed Brass
1936859



Ivory / Bronzed Brass
1936649