

BUSTER+PUNCH

LONDON

[product.

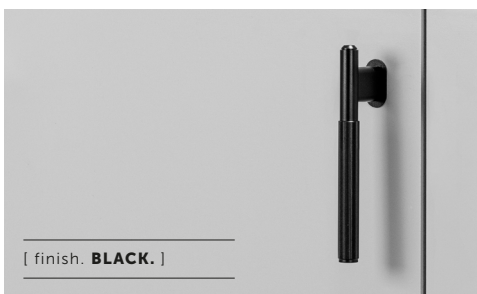
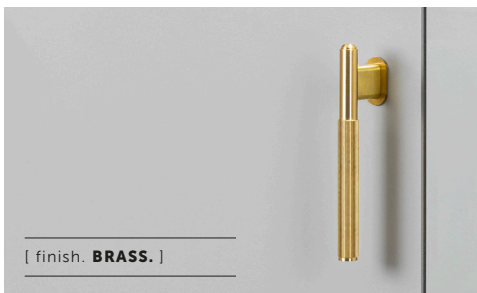
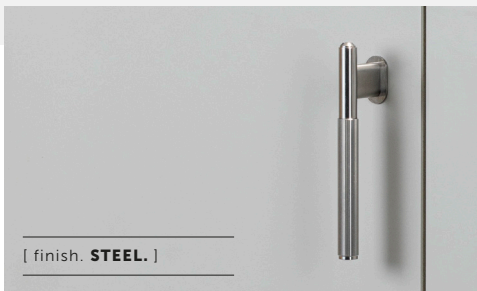
L-BAR

[type. **HARDWARE.**]

[knurl. **LINEAR.**]

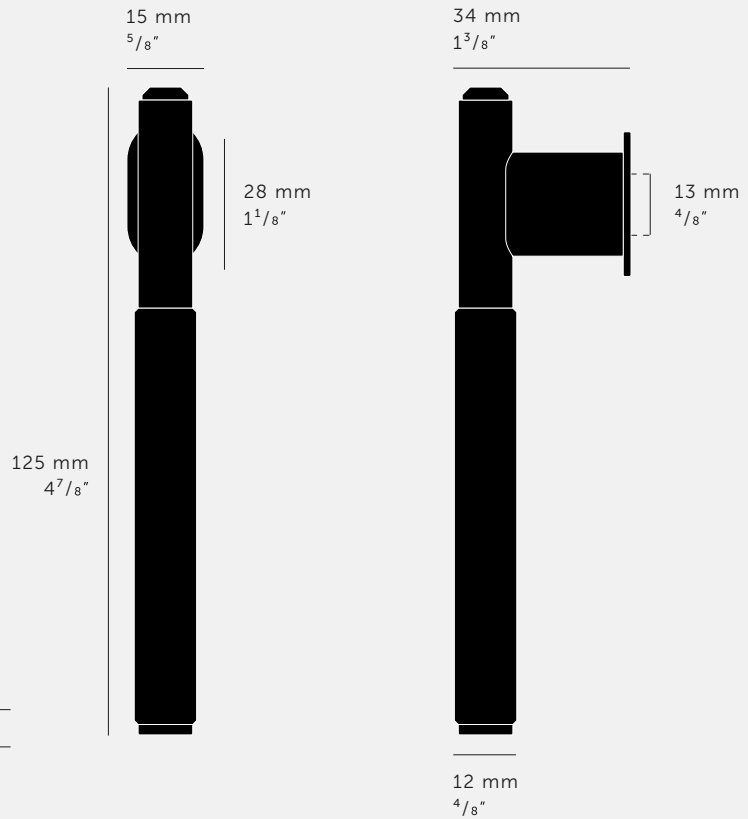
[detail. **TORX SCREW.**]

An L-bar made from solid metal and featuring our signature, diamond-cut, linear knurl pattern. Finished with a precision milled base, backplate and torx screw detailing. Works great on cabinet doors, cupboards, kitchen units and just about anything that can open. Available in five metal finishes: steel, burnt steel, brass, gun metal and black.



[type. **HARDWARE.**]

[info. **MEASUREMENTS.**]



[info. **SPECIFICATIONS.**]

Rear Fixing

* Fits doors & draws of:

Max 18mm.or $\frac{45}{64}$ "*

*For thicker doors you will need to source longer M4 screws.

[info. **FINISH & SKU NUMBERS.**]

[finish.]

[UK.]

[US.]

 Steel	GLB-07325	NLB-07370
 Burnt Steel	GLB-36440	NLB-36450
 Brass	GLB-05326	NLB-05371
 Gun Metal	GLB-35329	NLB-35373
 Black	GLB-02328	NLB-02374

[info. **CARE INSTRUCTIONS.**]

Wipe with damp cloth with no loose hairs, avoid using any chemicals.
All finishes are prone to aging.

[info. **INCLUDED.**]

1x Solid metal l-bar

2x Custom M4 x 16mm woodscrews

1x Oval washer

1x Back plate

[please. **NOTE.**]

DISCLAIMER: Always consult a trade professional when installing these L-Bars. Buster + Punch is not responsible for the usage or feasibility of installation requirements. This product is not suitable for damp or wet environments.